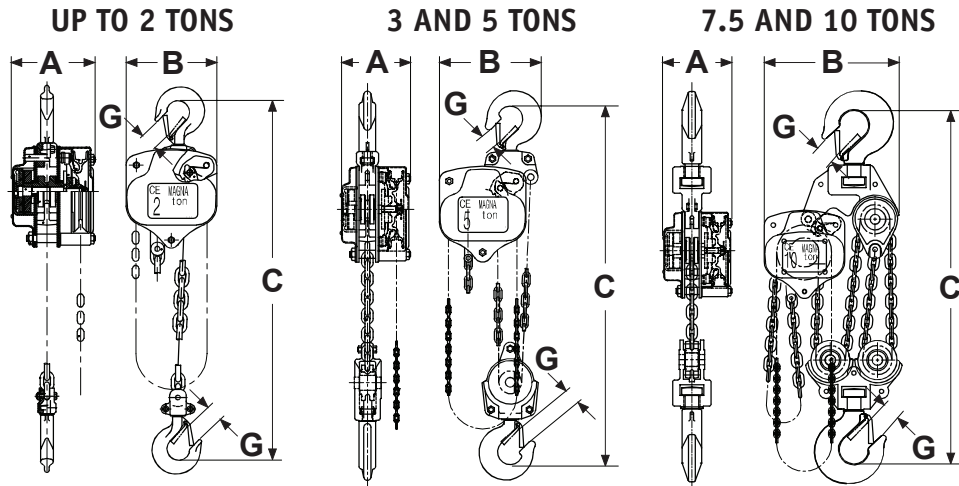


CHAIN HOISTS

DATA SHEET



MODEL NUMBERS	CH050	CH100	CH150	CH200	CH300	CH500	CH750	CH1000	CH1500	CH2000	CH3000	CH4000
CAPACITY (POUNDS)	1,100	2,200	3,300	4,400	6,600	11,000	16,500	22,000	33,000	44,000	66,000	88,000
STANDARD LIFT (FEET)	10	10	10	10	10	10	10	10	10	10	10	10
LOAD CHAIN (MILLIMETERS)	6.3 x 19.1	6.3 x 19.1	7.1 x 21.0	7.9 x 23.0	7.1 x 21.0	9.0 x 27.0	9.0 x 27.0	9.0 x 27.0	9.0 x 27.0	9.0 x 27.0	9.0 x 27.0	9.0 x 27.0
LOAD CHAIN GRADE	Grade 80	Grade 80	Grade 80	Grade 80	Grade 80	Grade 100	Grade 100	Grade 100	Grade 100	Grade 100	Grade 100	Grade 100
HAND CHAIN* (MILLIMETERS)	5.0 x 22.5	5.0 x 22.5	5.0 x 22.5	5.0 x 23.4	5.0 x 22.5	5.0 x 23.4	5.0 x 23.4	5.0 x 23.4	5.0 x 23.4	5.0 x 23.4	5.0 x 23.4	5.0 x 23.4
PULL TO LIFT LOAD (POUNDS)	53	73	75	75	77	86	90	90	90 x 2**	90 x 2**	95 x 2**	95 x 2**
NET WEIGHT WITH STANDARD LIFT (POUNDS)	25	26	31	43	49	86	119	152	317	403	564	1,014
LOAD CHAIN FALL (LINES)	1	1	1	1	2	2	3	4	6	8	10	14
WEIGHT FOR ADDITIONAL FIVE FEET OF LIFT (POUNDS)	6.1	6.1	6.9	7.9	10.6	15.4	21.4	27.4	39.4	51.4	63.4	87.4
TEST LOAD (POUNDS)	1,653	3,307	4,960	6,614	9,921	16,535	24,802	33,069	49,604	66,139	99,208	132,277
DIMENSIONS (INCHES)												
A	5.8	5.8	5.8	7.1	5.8	7.1	7.1	7.1	8.2	8.2	15.9	19.8
B	6.1	6.1	6.9	8.0	8.1	10.4	14.2	14.5	29.7	34.4	29.1	29.9
C	12.4	12.4	13.4	16.5	18.7	25.0	27.6	29.9	33.5	34.3	29.1	29.9
G	1.1	1.2	1.3	1.5	1.7	1.8	1.8	2.4	3.1	3.5	3.5	4.0

*HAND CHAIN DROP LENGTH IS EQUAL TO THE LOAD CHAIN LENGTH UNLESS OTHERWISE REQUESTED

**2 HAND CHAIN FALLS